

Product Description

Coolview® CLED30™

Coolview CLED30 is a powerful examination light with light intensity of 30,000 Lux, designed to be multi-purpose.

Brandon Medical has designed Coolview CLED30 as an affordable, professional-looking, and powerful examination light for your practice.

Coolview® CLED30™ SV

Coolview CLED30SV arm is attached at the side of the luminaire and is recommended for dermatology, patient care, general examination and emergency care.



Product Images



Product Features

Comfortable, Cool Light with Excellent Rendering

An ideal light for general examination within GP consulting rooms and examination rooms. With a bright white LED light, it renders skin tones realistically, which is critical for correct diagnosis.

Modern Concept, Ergonomic Design

The modern design of CLED30 examination light will inspire confidence in your patients whilst the ergonomics of the head combined with the flexible, stable arm will allow you to handle and position the light effortlessly which will suit daily use by clinical staff.

Infection Control

The fully enclosed light head is sealed to protect from dust and light liquid ingress.

Brightness Flexibility

The continuous dimming allows more flexibility when a particular brightness is needed.

Mountings

The Coolview CLED30SV Examination Light operates on a flexible arm offering precise positioning and stability. The Light can be specified for mounting on the Wall (with or without Backplate), Desk, G-Clamp (Table), "Medirail" or on a Mobile Wheeled Base.



Images are representative of example system only - Mount styles vary depending on model

Please refer to drawing layout for model appearance information

Please contact one of our Sales Team to discuss your requirements further



Model Number	Description
CLED30SVB	Coolview CLED30 SV Flexible Arm with Vertical Lamp Wall Mounted with Backplate Examination Lamp
CLED30SVD	Coolview CLED30 SV Flexible Arm with Vertical Lamp Desk Mounted Examination Lamp
CLED30SVM	Coolview CLED30 SV Flexible Arm with Vertical Lamp Mobile Mounted Examination Lamp
CLED30SVR	Coolview CLED30 SV Flexible Arm with Vertical Lamp Rail Mounted Examination Lamp
CLED30SVW	Coolview CLED30 SV Flexible Arm with Vertical Lamp Wall Mounted Examination Lamp
CLED30SVG	Coolview CLED30 SV Flexible Arm with Vertical Lamp G-Clamp (Table) Mounted Examination Lamp

Technical & Performance Information: Unless otherwise stated: All linear dimensions in mm, angles in degrees ($\pm 5^\circ$) and weights in kg

General System Information	CLED30SVB	CLED30SVD	CLED30SVG	CLED30SVM	CLED30SVR	CLED30SVW
Lamphead/Arm	CLED30SV					
Mount Type	Backplate Wall Mount	Desk Mount	Table (G-Clamp)	Mobile Base	Rail	Wall Mount
Weight (kg)	2.1	2	1.95	9.6	1.8	1.7
Type of luminaire	Examination (Luminaire for diagnosis)					
Medical Device Classification	I					
Electrical Classification	II					
Conformity	CE (93/42/EEC) including amendments 2007/47/EC					
Electrical conformity	EN/IEC 60601-1; EN/IEC 60601-2-41; EN/IEC 60601-1-2					
Additional Information	Power Lead supplied loose with UK plug					

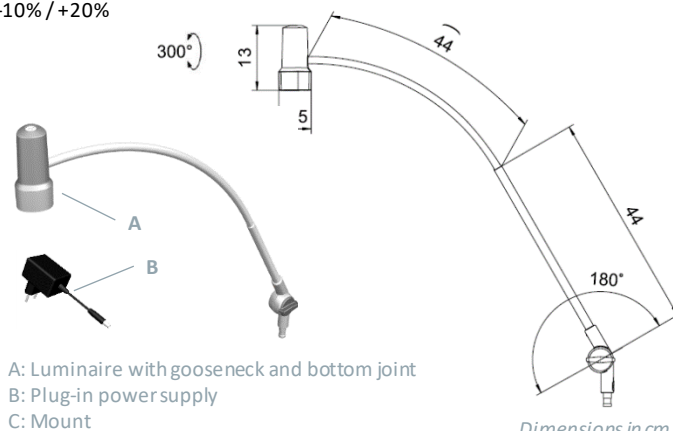
Mount	Backplate Wall Mount	Desk Mount	Table (G-Clamp)	Mobile Base	Rail	Wall Mount
Mount Size HxWxD (mm)	130 x 130 x 70	130 x 90 x 105	150 to 210 x 70 x 40	834 x Ø650	70 x 30 x 55	91 x 59 x 67
Weight of Mount (kg)	0.5	0.4	0.35	8	0.2	0.1
Fixing Type	Permanent	Semi-Permanent	Moveable	Mobile	Moveable	Permanent
Available Rotation Lateral about Spindle ($\pm 5^\circ$)	180	360	360	360	360 max	180
Interface orientation	Vertical Up	Vertical Up	Vertical Up	Vertical Up	Vertical Up	Vertical Up
Colour	White / Grey	Black	Black	GREY/BLACK	Silver	Grey
Material	Steel / Plastic	Plastic	Polyamide/ Steel	Steel / Plastic	Aluminium	Plastic

Lamphead/Arm Data	CLED30SV
Light On/Off switch location	Keypad on Luminaire Head
Arm Type	Flexible
Fastener type	Ø16 mm Pin
Base Joint Type and Angle (°)	Articulating 180°
Base Rotation about fastener (°)	360 (max)
Arm Reach	880
Lamphead Diameter (mm) Approx	65
Lamphead Pitch (°)	n/a
Lamphead Roll (°)	300°
Lamphead & Arm Weight (kg) Approx	1.6
Power Supply Lead(s) [plug]	1.8 m [multi]

Lamphead/Arm Electrical Data	CLED30SV
Primary Power Supply	100-240VAC 50/60 Hz
Secondary Power Supply Unit	Plug Top Transformer
Power Consumption @ Nominal Intensity	7.8 - 8.1 W (16 - 20 VA)
Ingress Protection Rating	IP20

Lamphead Photometric Data	CLED30
Central Illuminance @ 0.5 metre (Lux max) *	30,000
Field diameter D10 @ 0.5 meter (mm)*	180
Field diameter D50 @ 0.5 meter (mm)	90
Nominal working distance from lamphead m	0.5
Colour rendition Ra (Av R1-R8)	>93
Colour rendition R9 (red)	>90
Colour temperature (°K)	4,400 K
Number & Type of lights per Lamphead	3 LED
LED life (hours)	50,000

*-10% / +20%



Images are representative of example system only - Mount styles vary depending on model

Please refer to drawing layout for model appearance information

Please contact one of our Sales Team to discuss your requirements further

