

Product Description

Coolview® CLED50FX

Coolview CLED50FX examination lights are the perfect light source for a wide range of procedures. Providing a high intensity, bright natural light, Coolview CLED50FX is perfect for medical consultation in primary care and medical clinics.



Product Images



Wall Mount



Backplate Wall Mount



Desk mount



Rail Mount



Mobile Base



Product Features

Powerful Light Intensity

Coolview CLED50FX emits 50,000 Lux of bright natural light at 0.5 m providing an intense, clear light source for use in general consultation areas.

Perfect Colour

The colour corrected light source with a colour temperature of 4,400 °K allows for accurate representation of tissue during examination.

Coolview CLED50FX has a high Ra of ≥ 93 which describes the exceptionally high quality of white light whilst the high measurement of R9 of ≥ 90 describes how accurately it illuminates tissues.

Infection Control

The fully enclosed light head is sealed to protect from dust and light liquid ingress.

Mountings

The Coolview CLED50 Examination Light operates on a spring balanced rigid arm offering optimum reach, positioning and stability. The Light can be specified for mounting on the Wall (with or without Backplate), Desk, "MediRail" or on a Mobile Wheeled Base.

*Images are representative of example system only - Mount styles vary depending on model
Please refer to drawing layout for model appearance information
Please contact one of our Sales Team to discuss your requirements further*



ELMFIELD ROAD | MORLEY | LEEDS | LS27 0EL | WEST YORKSHIRE | UNITED KINGDOM. T: +44 113 277 7393 / 0845 1243 666 F: +44 113 272 8844 / 0845 1243 667
E: enquiries@brandon-medical.com W: www.brandon-medical.com
Brandon Medical Company Limited. Registered in England & Wales No. 2827189. VAT No. GB734 591421. A subsidiary of Brandon Group Limited.

Model Number	Description
CLED50FXBP	Coolview CLED50 FX Articulated Arm Wall Mounted with Backplate Examination Lamp with UK Plug Lead
CLED50FXDP	Coolview CLED50 FX Articulated Arm Desk Mounted Examination Lamp with UK Plug Lead
CLED50FXMP	Coolview CLED50 FX Articulated Arm Mobile Mounted Examination Lamp with UK Plug Lead
CLED50FXRP	Coolview CLED50 FX Articulated Arm Rail Mounted Examination Lamp with UK Plug Lead
CLED50FXWP	Coolview CLED50 FX Articulated Arm Wall Mounted Examination Lamp with UK Plug Lead

Technical Performance Information

Unless otherwise stated: All linear dimensions in mm, angles in degrees (±5°) and weights in kg

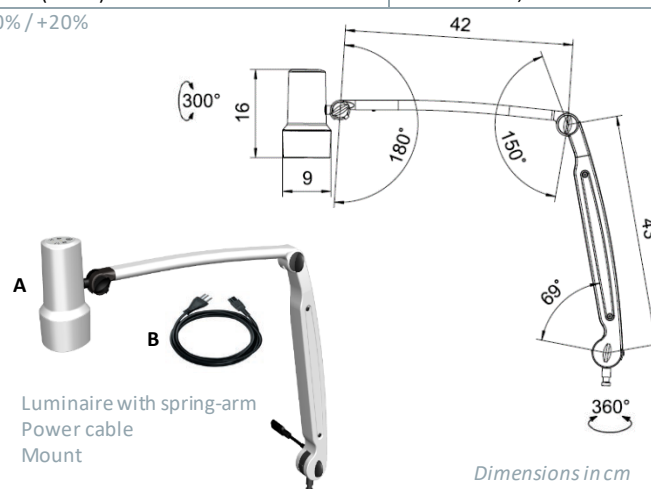
General System Information	CLED50FXBP	CLED50FXDP	CLED50FXMP	CLED50FXRP	CLED50FXWP
Lamphead 1	CLED50FX				
Mount Type	Backplate Wall Mount	Desk Mount	Mobile Base	Rail Mount	Wall Mount
Weight (kg)	1.8	1.7	9.3	1.5	1.4
Conformity	CE (93/42/EEC) including amendments 2007/47/EC				
Type of luminaire	Examination (Luminaire for diagnosis)				
Medical Device Classification	I				
Electrical Classification	II				
Electrical conformity	EN/IEC 60601-1; EN/IEC 60601-2-41; EN/IEC 60601-1-2				
Additional Information	Power Lead supplied loose with UK plug				

Mount	Backplate Wall Mount	Desk Mount	Mobile Base	Rail Mount	Wall Mount
Mount Size HxWxD (mm)	130 x 130 x 70	130 x 90 x 105	834 x Ø650	70 x 30 x 55	91 x 59 x 67
Weight of Mount (kg)	0.5	0.4	8	0.2	0.1
Fixing Type	Permanent	Semi-Permanent	Mobile	Moveable	Permanent
Available Rotation Lateral about Spindle (±5°)	180	360	360	360 max	180
Interface orientation	Vertical Up	Vertical Up	Vertical Up	Vertical Up	Vertical Up
Colour	White/Grey	Black	Grey/Black	Silver	Grey
Material	Steel/Plastic	Plastic	Steel/Plastic	Aluminium	Plastic

Examination Lamphead/Arm	CLED50FX
Description	LED Examination Light
Light On/Off switch location	Rocker Switch on Arm
Arm Type	Articulated (Friction)
Fastener type	Ø16 mm Pin
Base Joint Type and Angle (°)	Articulating 69°
Base Rotation about fastener (°)	360 (max)
Elbow Angle (°)	150°
Arm Reach	850
Lamphead Diameter (mm) Approx	90
Lamphead Pitch (°)	180°
Lamphead Roll (°)	300°
Lamphead & Arm Weight (kg) Approx	1.3
Power Supply Lead(s) [plug]	1.8 m [UK]

Lamphead Photometric Data	CLED50
Central Illuminance @ 0.5 metre (Lux max *)	50,000
Field diameter D10 @ 0.5 meter (mm)	180
Field diameter D50 @ 0.5 meter (mm)	90
Nominal working distance from lamphead m	0.5
Colour rendition Ra (Av R1-R8)	≥93
Colour rendition R9 (red)	≥90
Colour temperature (°K)	4,400
Number & Type of lights per Lamphead	7 LED
LED life (hours)	50,000

*-10% / +20%



Primary Power Supply	100-240VAC 50/60 Hz
Secondary Power Supply Unit	Integral 24V DC
Power Consumption @ Nominal Intensity	10.5-13 W (11.2-17.5 VA)
Ingress Protection Rating	IP20

Images are representative of example system only - Mount styles vary depending on model

Please refer to drawing layout for model appearance information

Please contact one of our Sales Team to discuss your requirements further

