

Product Description

Coolview® CLED53FX

LED Examination Lights from Brandon Medical are the perfect light source for a wide range of procedures. Providing a high intensity, bright natural looking light, Coolview CLED53 is perfect for medical consultations and examinations in primary care and medical clinics.



Product Images



Wall Mount



Backplate Wall Mount



Desk mount



Medi Rail Mount



Mobile Base



Product Features

Powerful, variable Light Intensity

Coolview CLED53 emits a powerful 50,000 Lux of light at 0.5 metres, providing an intense, clear light source for excellent visualization. The easily accessible and intuitive controls offer 5 levels of brightness

Perfect Colour

The powerful light source is matched with a selectable colour temperature feature, which can be adjusted between 3,300, 3,800 and 4,400^oKelvin. This provides the Clinician with accurate representation and visualization of the site under examination.

Coolview CLED53 offers a high CRI Ra of ≥ 93 which describes the exceptionally high quality of white Light and excellent overall colour rendition, whilst the high CRI R9 value of ≥ 90 can help to enhance visualization of areas where red is more predominant.

Infection Control

The fully enclosed light head is sealed to protect from dust and light liquid ingress.

Mountings

The Coolview CLED53 Examination Light operates on a spring balanced rigid arm offering optimum reach, positioning and stability. The Light can be specified for mounting on the Wall (with or without Backplate), Desk, "Medirail" or on a Mobile Wheeled Base.

Images are representative of example system only - Mount styles vary depending on model

Please refer to drawing layout for model appearance information

Please contact one of our Sales Team to discuss your requirements further



Model Number	Description
CLED53FXBP	Coolview CLED53 FX Articulated Arm Wall Mounted with Backplate Examination Lamp with UK Plug Lead
CLED53FXDP	Coolview CLED53 FX Articulated Arm Desk Mounted Examination Lamp with UK Plug Lead
CLED53FXMP	Coolview CLED53 FX Articulated Arm Mobile Mounted Examination Lamp with UK Plug Lead
CLED53FXRP	Coolview CLED53 FX Articulated Arm Rail Mounted Examination Lamp with UK Plug Lead
CLED53FXWP	Coolview CLED53 FX Articulated Arm Wall Mounted Examination Lamp with UK Plug Lead

Technical & Performance Information:

Unless otherwise stated: All linear dimensions in mm, angles in degrees (±5°) and weights in kg

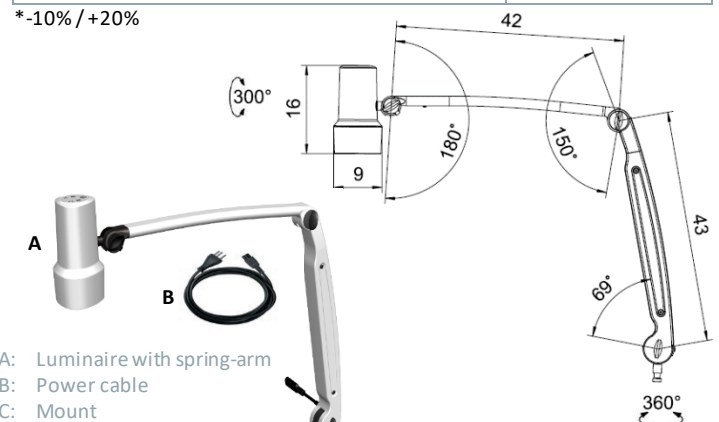
General System Information	CLED53FXBP	CLED53FXDP	CLED53FXMP	CLED53FXRP	CLED53FXWP
Lamphead/Arm Type	CLED53FX				
Mount Type	Backplate Wall Mount	Desk Mount	Mobile Base	Rail Mount	Wall Mount
System Weight (kg)	1.8	1.7	9.3	1.5	1.4
Conformity	CE (93/42/EEC) including amendments 2007/47/EC				
Type of luminaire	Examination (Luminaire for diagnosis)				
Medical Device Classification	I				
Electrical Classification	II				
Electrical conformity	EN/IEC 60601-1; EN/IEC 60601-2-41; EN/IEC 60601-1-2				
Additional Information	Power Lead supplied loose with UK plug				

Mount	Backplate Wall Mount	Desk Mount	Mobile Base	Rail Mount	Wall Mount
Mount Size HxWxD (mm)	130 x 130 x 70	130 x 90 x 105	834 x Ø650	70 x 30 x 55	91 x 59 x 67
Weight of Mount (kg)	0.5	0.4	8	0.2	0.1
Fixing Type	Permanent	Semi-Permanent	Mobile	Moveable	Permanent
Available Rotation Lateral about Spindle (±5°)	180	360	360	360 max	180
Interface orientation	Vertical Up	Vertical Up	Vertical Up	Vertical Up	Vertical Up
Colour	White/Grey	Black	Grey/Black	Silver	Grey
Material	Steel/Plastic	Plastic	Steel/Plastic	Aluminium	Plastic

Lamphead/Arm Data	CLED53FX
Light On/Off switch location	Keypad on Luminaire Head
Arm Type	Articulated (Spring)
Fastener type	Ø16 mm Pin
Base Joint Type and Angle (°)	Articulating 69°
Base Rotation about fastener (°)	360 (max)
Elbow Angle (°)	150
Arm Reach	850
Lamphead Diameter (mm) Approx	90
Lamphead Pitch (°)	180°
Lamphead Roll (°)	300°
Lamphead & Arm Weight (kg) Approx	1.3
Power Supply Lead(s) [plug]	1.8 m [UK]

Lamphead/Arm Electrical Data	CLED53FX
Primary Power Supply	100-240VAC 50/60 Hz
Secondary Power Supply Unit	Integral 24V DC
Power Consumption @ Nominal Intensity	12-18 W (15-22 VA)
Ingress Protection Rating	IP20

Lamphead Photometric Data	CLED53
Central Illuminance @ 0.5 metre (Lux max *)	50,000
Field diameter D10 @ 0.5 meter (mm)	180
Field diameter D50 @ 0.5 meter (mm)	90
Nominal working distance from lamphead m	0.5
Colour rendition Ra (Av R1-R8)	≥93
Colour rendition R9 (red)	≥90
Adjustable Colour (Red Balance) (°K)	3,300/3,800/4,400
Number & Type of lights per Lamphead	7 LED
LED life (hours)	50,000
Additional	5 Dimming Level



Images are representative of example system only - Mount styles vary depending on model
Please refer to drawing layout for model appearance information

Please contact one of our Sales Team to discuss your requirements further



ELMFIELD ROAD | MORLEY | LEEDS | LS27 0EL | WEST YORKSHIRE | UNITED KINGDOM. T: +44 113 277 7393 / 0845 1243 666 F: +44 113 272 8844 / 0845 1243 667
E: enquiries@brandon-medical.com W: www.brandon-medical.com
Brandon Medical Company Limited. Registered in England & Wales No. 2827189. VAT No. GB734 591421. A subsidiary of Brandon Group Limited.